

# Make a rainbow.

## You will need:

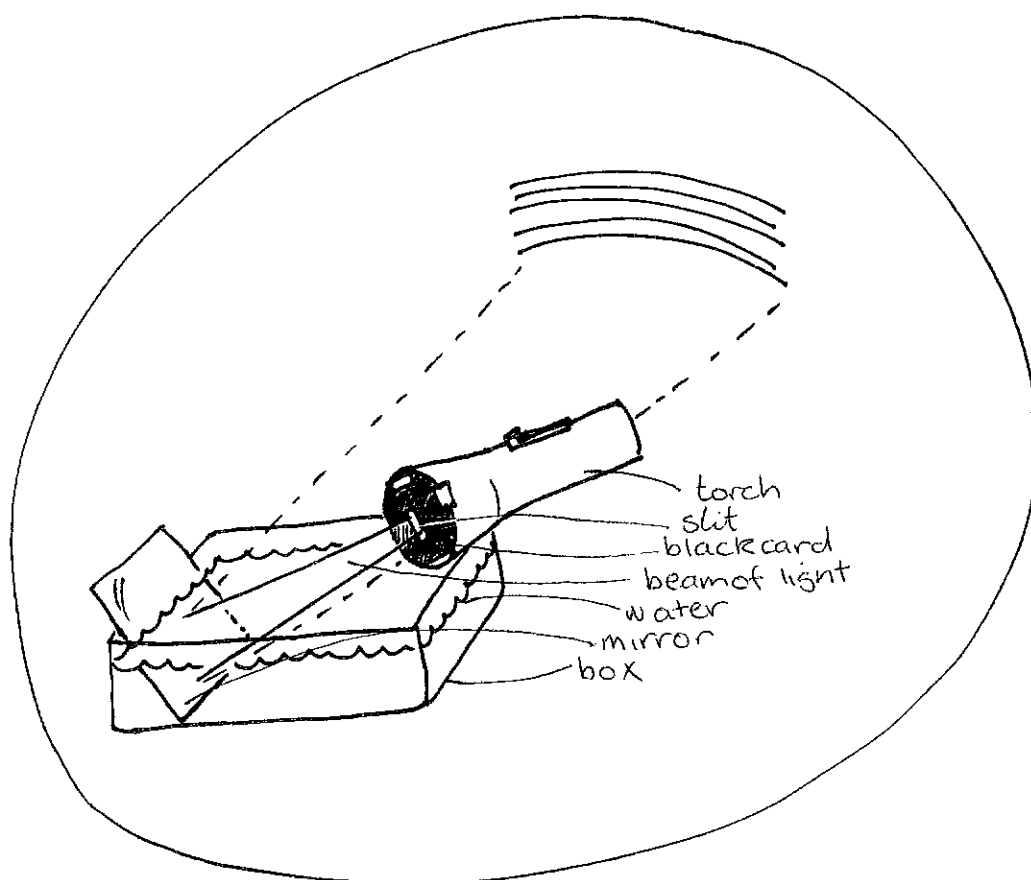
- tray of water
- torch
- black card
- mirror

## Instructions

1. Cut a narrow slit in a piece of black card.
2. Tape the card over the end of the torch.
3. Prop the mirror up in the tray of water.
4. Shine the torch through the water onto the mirror.

The rainbow will appear behind you -get someone to hold up a piece of paper or do it against a white wall. It is easier to see in a darkened room.

Alternative method. -Place a glass of water on a windowsill on a sunny day.



# Make a rainbow.

## You will need:

- tray of water
- torch
- black card
- mirror

## Instructions

1. Cut a narrow slit in a piece of black card.
2. Tape the card over the end of the torch.
3. Prop the mirror up in the tray of water.
4. Shine the torch through the water onto the mirror.

The rainbow will appear behind you -get someone to hold up a piece of paper or do it against a white wall. It is easier to see in a darkened room.

Alternative method. -Place a glass of water on a windowsill on a sunny day.

